



# f.root-servers.net world tour

João Damas

ISC

September 2003

RIPE 46, Amsterdam



# Goals

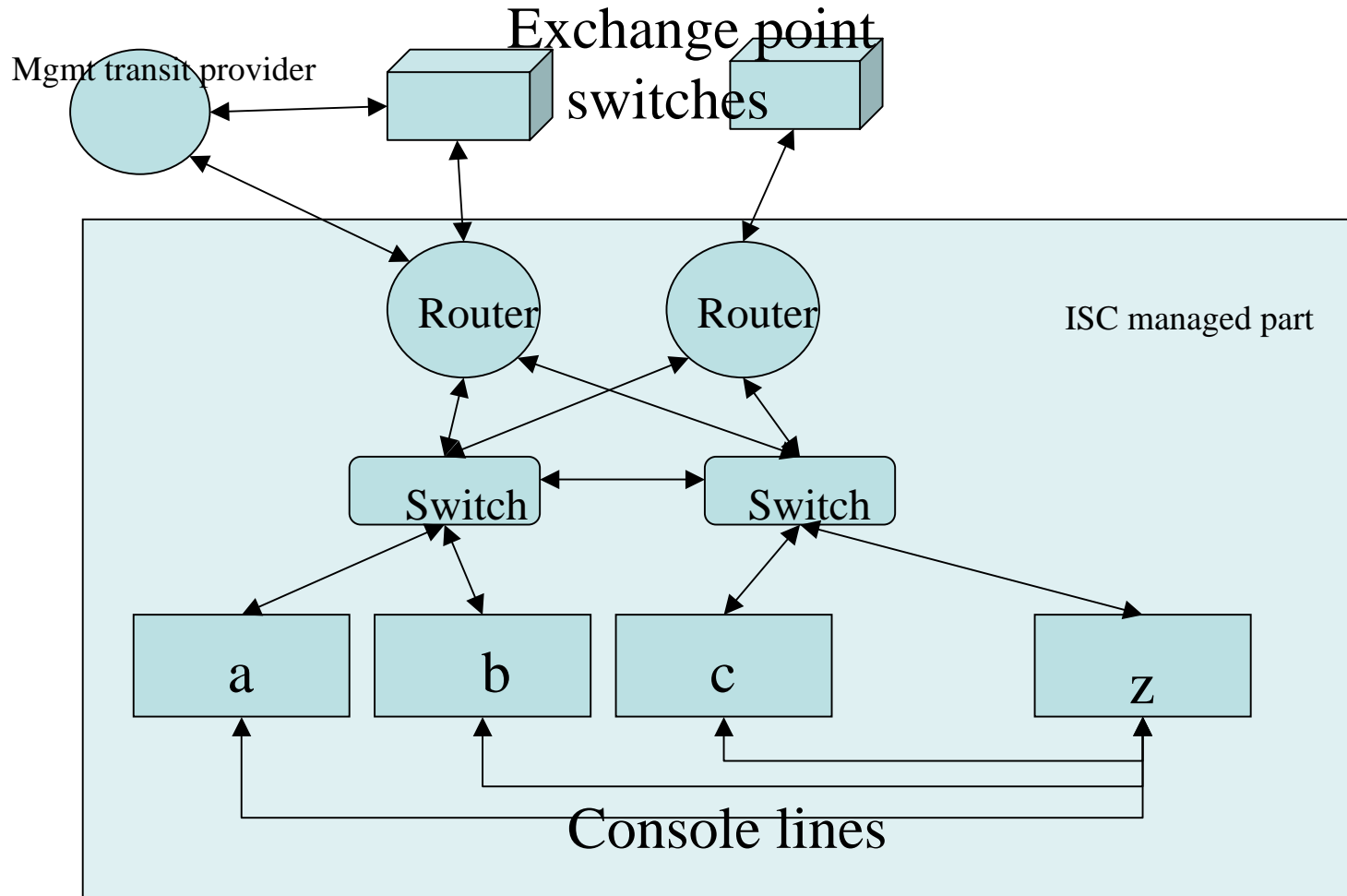
- Improve DNS infrastructure
- Improve user experience
  
- Not a competition



# f-root anycast technical setup

- <http://www.isc.org/tn/isc-tn-2003-1.txt>
- Global nodes
  - No restrictions on BGP announcements
- Local nodes
  - Prefix announced with “no-export” community
  - Preferred locations is at IXPs

# Typical node





# Global nodes

- San Francisco
- Palo Alto

OSPF load balancing (anycast in a rack)



# Nodes “out there”

- Madrid (Espanix), Rome (NameX)
  - SFINX/Telehouse (Paris), Moscow (RIPN)
- Seoul (KINX), Hong Kong (HKIX), Auckland (APE)
  - Beijing
- UAE (ETISALAT)
- South Africa (JINX)
- São Paulo (nic.br)
  - Monterrey (nic.mx)
- San Jose (MAE-WEST), LA (telehouse), New York
  - Ottawa (NRC)



# Questions?

September 2003

RIPE 46, Amsterdam